

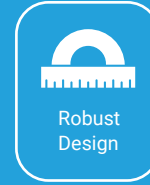
Manual & Semi-Electric Range



We Protect your product
Increase your storage
Improve your Labor Productivity
While enhancing Safety, Hygiene, & Ergonomics

WHY USE A NILKAMAL MANUAL RANGE

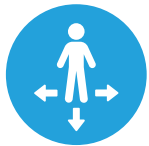
- Equipment to suit wide range of applications.
- Direct service reach
- Robust Construction of equipment and increased life
- Ready availability



KEY FEATURES



Robust steel profile construction



Allow the operator to work without having to perform extreme body movements



Compact design with strong steel construction.



Reliable oil leak proof hydraulic system

HAND PALLET TRUCK

Model : BF1150



Wheels : Nylon / Polyurethane / Cast Iron

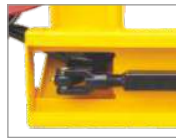
		BF1150
Capacity	Q(kg)	2500
Lowered fork height	h13(mm)	85
Steering wheel	mm	Ø200
Fork wheel single	mm	Ø80×93
Fork wheel tandem	mm	Ø80×70
Max. lift height	h3(mm)	200
Total height	h14(mm)	1224
Overall length	l1(mm)	1533/1603
Fork length	l(mm)	1150/1220
Width overall forks	b5(mm)	520/550/685
Ground clearance, centre of wheelbase	m2(mm)	40
Aisle width for pallets 1000x1200 crossways	Ast(mm)	1733/1803
Aisle width for pallets 800x1200 lengthways	Ast(mm)	1783/1803
Turning radius	Wa(mm)	1266/1336
Service weight	Kg	60-75



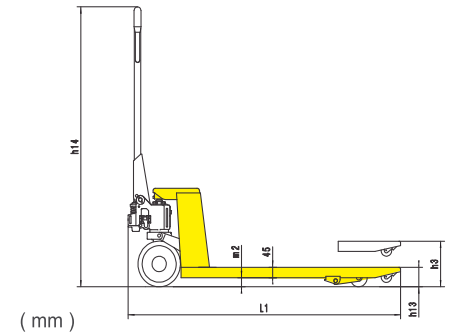
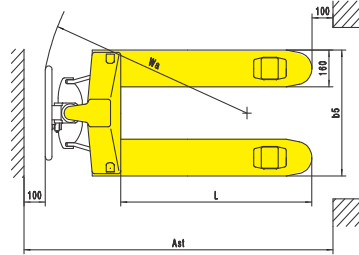
Option : fully rubber wrapped handle



Adjustable pump cap



Adjustable straight tappet



HAND PALLET TRUCK WITH BRAKE SYSTEM

Model : BFB1150 (Brake)



		BFB1150
Capacity	Kg	2500
Max. lift height	mm	200
Lowered fork height	mm	85
Fork length	mm	1150
Fork width	mm	160
Width overall the fork	mm	550/685
Wheels		PU (Polyurethane)
Steering wheel	mm	Ø200
Fork wheel single	mm	Ø80
Ground clearance	mm	40
Total height	mm	1224
Overall length	mm	1533
Turning radius	mm	1266
Service weight	Kg	60-75

Advantages

- Hand Pallet Truck with brake system can conveniently seize the truck and navigate ramp
- Hand Pallet Truck with PU (Polyurethane) wheel only
- Suitable for epoxy coating floor

FULLY STAINLESS STEEL HAND PALLET TRUCK

Model : NKSS25/NKSS25NY



	UNIT	NKSS25	NKSS25NY
Basic Capacity	Kg	2500	2500
Lift height	mm	200	200
Lowered fork height	mm	85	85
Fork length	mm	1150	1150
Width over forks	mm	550/685	550/685
Load centre	mm	600	600
Overall length of equipment	mm	1533	1533
Lift/Stroke	no	12	12
Outer turning radius	mm	1266	1266
Steering wheel	mm	Ø200	Ø200
Fork wheel	mm	Ø74	Ø74
Wheels type		Polyurethane	Nylon
Service weight	Kgs	75	75

Advantages

- Widely used in carrying solvents & chemicals
- Can work in very low temperature conditions, e.g. to deliver goods into and out of cold stores
- It is made of 100% Stainless Steel material and components of grade 302/304/1Cr13/2Cr13

SEMI STAINLESS STEEL HAND PALLET TRUCK

Model : NKSSS25/NKSSS25NY



	UNIT	NKSSS25	NKSSS25NY
Basic Capacity	Kg	2500	2500
Lift height	mm	200	200
Lowered fork height	mm	85	85
Fork length	mm	1150	1150
Width over forks	mm	550/685	550/685
Load centre	mm	600	600
Overall length of equipment	mm	1533	1533
Lift/Stroke	no	12	12
Outer turning radius	mm	1266	1266
Steering wheel	mm	Ø200	Ø200
Fork wheel	mm	Ø74	Ø74
Wheels type		Polyurethane	Nylon
Service weight	Kgs	75	75

Advantages

- Widely used in pharmaceuticals & similar industries
- Can work in very low temperature conditions, e.g. to deliver goods into and out of cold stores
- In this Hand Pallet Truck, Body frame and handle are of Stainless Steel 304 grade, rest all parts are galvanized.

LOW PROFILE HAND PALLET TRUCK

Model : NKLP10



Advantages

- 1T Cap. lowered fork height - 35mm
- Steel fork rollers

		NKLP10
Capacity	Q(kg)	1000
Lowered fork height	h13(mm)	35
Steering wheel	mm	Ø150
Fork wheel single	mm	-
Fork wheel tandem	mm	Ø30×60
Max. lift height	h3(mm)	105
Total height	h14(mm)	1174
Overall length	l1(mm)	1533/1603
Fork length	l(mm)	1150
Width over forks	b5(mm)	520/550/685
Ground clearance, centre of wheelbase	m2(mm)	7
Aisle width for pallets 1000x1200 crossways	Ast(mm)	1733/1803
Aisle width for pallets 800x1200 lengthways	Ast(mm)	1783/1803
Turning radius	Wa(mm)	1266/1336
Service weight	Kg	65-80

PAPER ROLL VERSION PALLET TRUCK

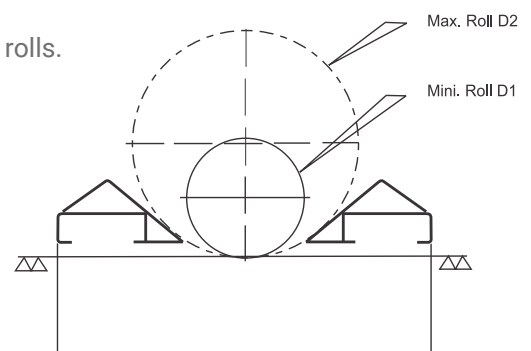
Model : BFJ1220



		BFJ1220100085YEL
Capacity	Kg	1000
Diameter of bale	mm	Ø700-Ø1200
Fork Length	mm	1150
Max. width over forks	mm	965
Steering wheel	mm	Ø200
Fork Wheel	mm	Ø80
Weight	Kg	135

Advantages

- Paper Roll Pallet Truck facilitates smooth & easy movement of paper rolls.
The paper rolls are rested on the trolley while transporting
- Hydraulic operation



ROUGH TERRAIN HAND PALLET TRUCK

Model : NKR-TERRAIN15YEL



Advantages

- Special for building site

		NKR-TERRAIN15YEL
Capacity	Kg	1500
Lowered fork height	mm	70
Total lift height	mm	240
Height of handle less	mm	734
Total height	mm	1298
Total width	mm	1605
Fork length	mm	800
Max. width over forks	mm	740
Least width over forks	mm	226
Steering wheel	mm	Ø250x60
Fork Wheel	mm	Ø380x114
Weight	Kg	192

WEIGHING SCALE PALLET TRUCK

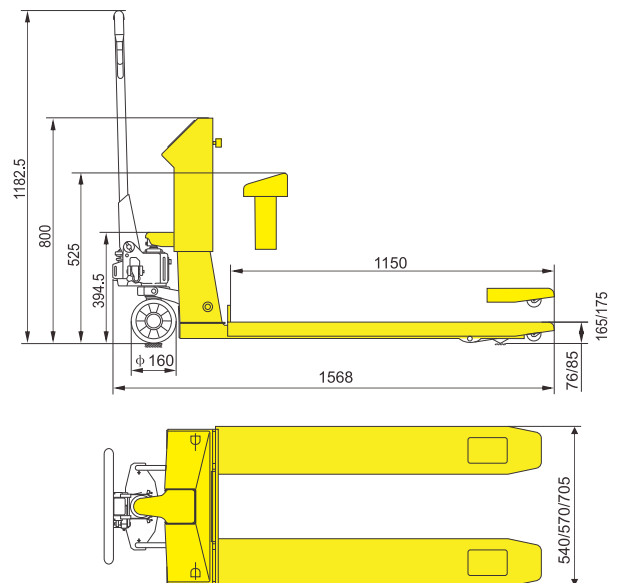
Model : NKWS20YEL



		NKWS20YEL
Capacity	Kg	2000
Lowered fork height	mm	85
Total lift height	mm	175
Fork length	mm	1150
Width over forks	mm	540/570/705
Steering wheel	mm	Ø160
Fork wheel	mm	Ø70
Power		Ni MH rechargeable battery
Max. deviation (weight)	mm	0.5
Max. deviation (rate)	%	±1%
Service weight	Kg	135

Advantages

- Mobile pallet truck with scale combined two major functions for pallet truck/scale, allows you to weigh cargo whatever you want
- Power supply with rechargeable battery
- Keypad and automatic tare functions
- 1.2 inches, super-large and bright LED display in solid state to be strike-free
- Available in pounds or kilograms
- A/D velocity: 27/s, a faster speed of weighing more correct
- Various functions: with extended functions as weight-checking, counting, etc., to satisfy different needs of customers
- Conforms to EU's ROHS standard.
- Calibrated by Govt. Authorities



SCISSOR HAND PALLET TRUCK

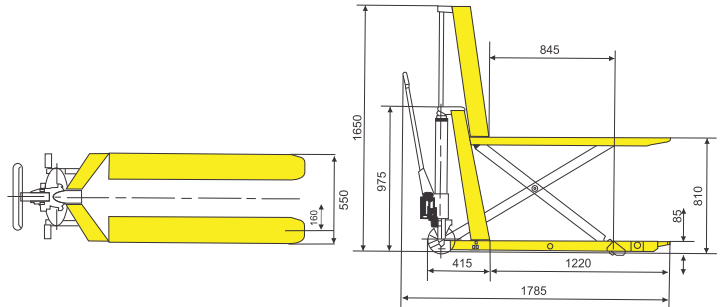
Model : NKSH10YEL



		NKSH10YEL
Capacity	Kg	1000
Lift height	mm	810
Lowered fork height	mm	85
Fork length	mm	1220
Fork width	mm	160
Max. width over forks	mm	550
Steering wheel	mm	Ø180x50
Fork Wheel	mm	Ø74x50
Truck weight	kg	115
Aisle width for pallets 1000x1200 crossways	mm	1985
Aisle width for pallets 800x1200 lengthways	mm	1985
Turning radius	mm	1670

Advantages

- Ideal design, with the numerous possibilities makes this unit very suitable as pallet truck or as scissor lift table



BATTERY OPERATED SCISSOR HAND PALLET TRUCK

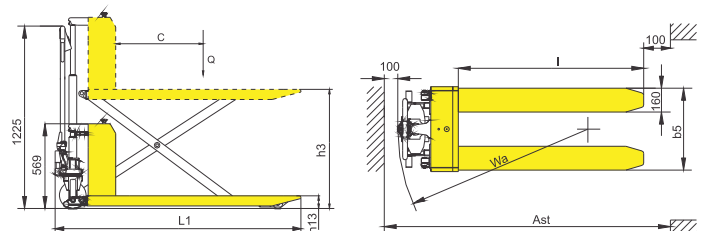
Model : NKSH10P



		NKSH10P
Capacity	Q(kg)	1000
Lowered fork height	h13(mm)	85
Steering wheel	mm	Ø180x50
Fork wheel	mm	Ø74x50
Max. lift height	h3(mm)	800
Overall length	L(mm)	1652
Fork length	l(mm)	1245
Width over forks	b5(mm)	550/685
Aisle width for pallets 1000x1200 crossways	Ast(mm)	1852
Aisle width for pallets 800x1200 lengthways	Ast(mm)	1852
Turning radius	Wa(mm)	1480
Lift motor rating at S3 15%	kW	0.7
Battery voltage, nominal capacity K10	V/Ah	12/100
Battery weight	kg	31
Service weight (with battery)	kg	181

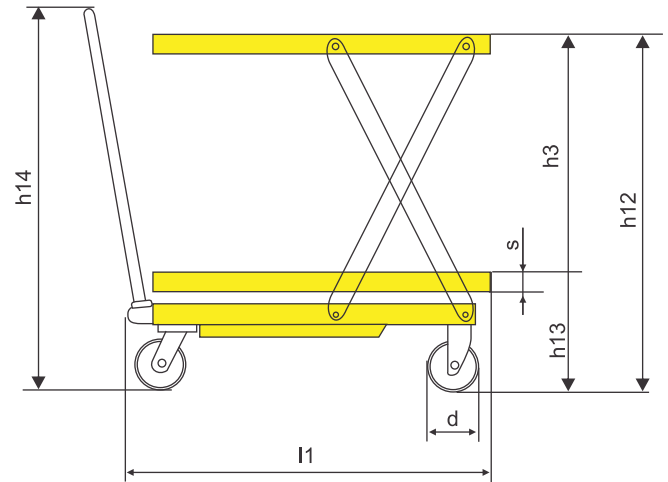
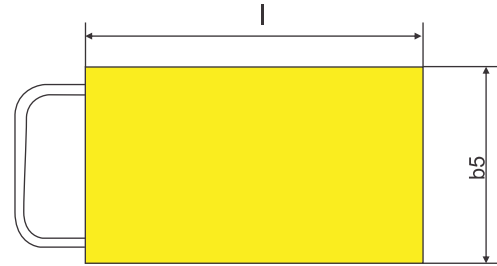
Advantages

- 210 degrees turning radius
- 2 lateral stabilizers when raised ensures good stability
- Support legs come into operation automatically



SCISSOR LIFT TABLE

Model : NKSLT350YEL/ NKSLT500YEL/ NKSLT680YEL/ NKSLT1500YEL



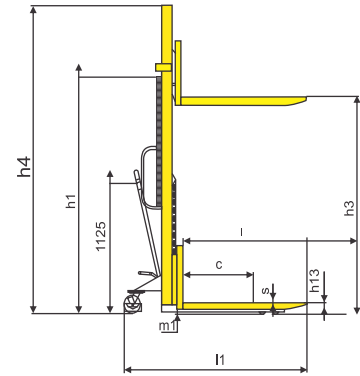
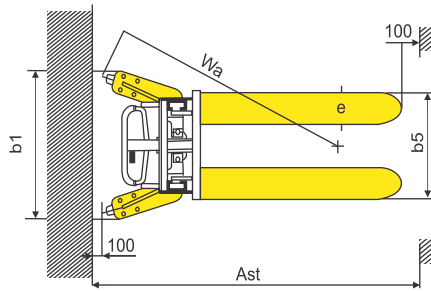
Advantages

- Valuable material handling equipment for use as a feeding table on assembly line
- Structural heavy duty steel construction
- Easy action foot operated hydraulic for raising table top to desired level

		UNIT	NKSLT350YEL	NKSLT500YEL	NKSLT680YEL	NKSLT1500YEL
Capacity		kg	350	500	680	1500
Max. lift height	h12	mm	1300	900	1500	1000
Min. height table	h13	mm	350	280	474	420
Lifting height	h3	mm	950	620	1026	580
Table size	lxb5xs	mm	910x500x50	815x500x50	1220x610x55	1220x610x60
Total height	b14	mm	970	996	1038	962
Overall length	l1	mm	980	942	1289	1379
Foot pedal cycles to Max. height			<60	<45	<80	<70
Wheel diameter	d	mm	127	127	150	150
Self weight		kg	105	87	185	135
Wheel			PU	PU	PU	PU

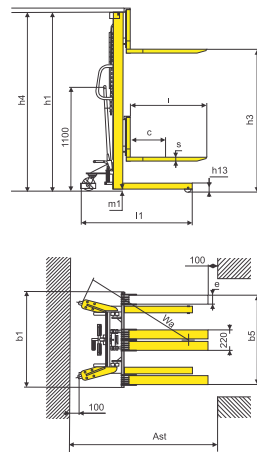
MANUAL STACKER

Model : NKMS1016YEL/ NKMS1025YEL/ NKMS1516YEL



ADJUSTABLE FORK STACKER

Model : NKMSA1016YEL/ NKMSA1516YEL

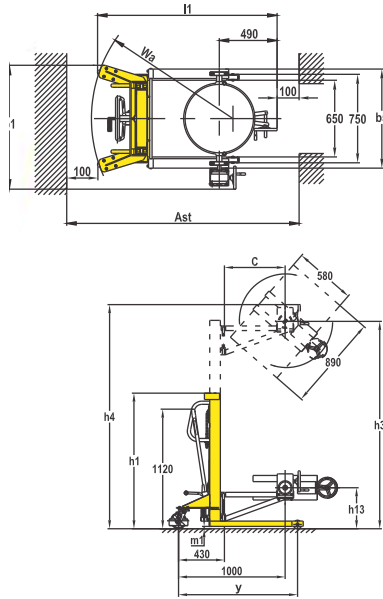


Advantages

- Robust steel profile construction
- Lifting function operated by foot and hand controls
- Welded forks deliver low-cost solution
- With safety wheel guard and brake system to ensure safety during operations
- Metal grid protects user from lift chains
- Highly efficient pumps makes the control easier to operate

			NKMS1016YEL	NKMS1025YEL	NKMS1516YEL	NKMSA1016YEL	NKMSA1516YEL
Load capacity/Rated load	Q	kg	1000	1000	1500	1000	1500
Load centre distance	C	mm	600	600	600	500	500
Height, mast lowered	h1	mm	2080	1838	2080	2085	2090
Max. Lift height	h3	mm	1600	2500	1600	1600	1600
Height, mast extended	h4	mm	2080	2925	2080	2165	2150
Lowered fork height	h13	mm	90	90	90	90	90
Overall length	l1	mm	1655	1655	1655	1380	1380
Overall width	b1	mm	755	860	755	1000	1000
Fork dimensions	s x e x i	mm	61x170x1150	61x170x1150	61x170x1150	30x100x1150	30x100x1150
Distance between fork-Arms	b5	mm	550	550	550	950	950
Ground clearance, laden, below mast	m1	mm	25	25	25	25	25
Aisle width for pallet 1000x1200 cross ways	Ast	mm	2112	2112	2112	1915	1915
Aisle width for pallet 800x1200 lengthways	Ast	mm	1945	1945	1945	1910	1910
Turning radius	Wa	mm	1380	1380	1380	1235	1235
Lift speed, laden/unladen		mm/s	25	25	25	25	25
Lowering speed, laden/unladen		mm/s	Manual control	Manual control	Manual control	Manual control	Manual control
Net weight		kg	230	276	245	250	255
Wheel			Nylon	Nylon	Nylon	Nylon	Nylon

MANUAL DRUM STACKER



NKYTD35RU1		
Capacity	Q(kg)	350
Load centre distance	c(mm)	570
Wheelbase	y(mm)	1115
Tyre size, front	(mm)	Ø80x36
Tyre size rear	(mm)	Ø1147x40
Height, mast lowered	h1(mm)	1270/1490
Max. lift height	h3(mm)	1945/2385
Height, mast extended	h4(mm)	2100/2640
Lowered fork height	h13(mm)	385
Overall length	l1(mm)	1520
Overall width	b1(mm)	1050
Width overall forks	b5(mm)	840
Ground clearance, laden, below mast	m1(mm)	22
Turning radius	Wa(mm)	1200
Lowering speed, laden/unladen	mm/s	manual control
Service weight	kg	235

PARROT BEAK ATTACHEMENT

Model : PARROTBEEK-1DRUM



Close-up of the drum being lifted



DRUM PALLETIZER

Model : NKDP350YEL



Advantages

- Can be used for plastic & steel both drum
- Wheel locking arrangement
- Hydraulic lifting

1KG=2.205LB 1INCH=25.40MM

		NKDP350YEL
Basic capacity	kg	350
Lift height	mm	300
Front wheel	mm	Ø150x50
Rear wheel	mm	Ø125x50
Wheel type	mm	PU (Polyurethane)
Overall size (LxWxH)	h1 mm	1230/920/1120
Leg Length	h3 mm	690
Leg width	h4 mm	1050
Lifting	h13 mm	Hydraulic
Net weight	l1 mm	50

DRUM TROLLEY

Model : NKDT03

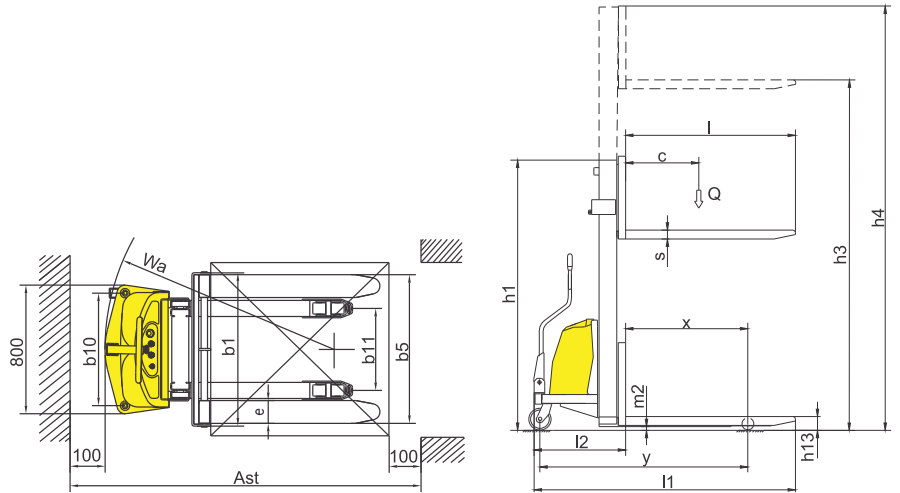


Advantages

- Easily and quick lift drums without hydraulic or electric connections

SEMI-ELECTRIC STACKER

Model : NKSES-III-1030 / NKSES-III-1530 / NKSES-III-1535



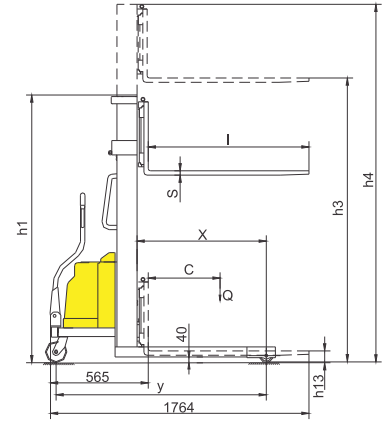
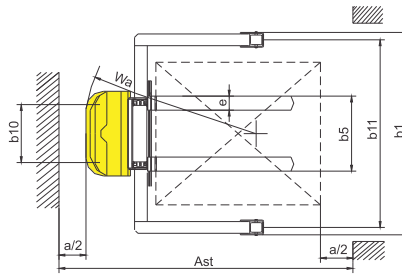
Advantages

- Handle-caster chain assist steering system greatly reduces the labour intensity
- Equipped with explosion-proof valve, against of sudden drop of forks and prevent operator from harm
- Over-discharge protection device greatly prolongs the battery life time
- Chain connect side wheel and handle, easy for steering
- Easy operating foot brake

		NKSES-III-1030	NKSES-III-1530
Load capacity	Q(kg)	1000	1500
Load centre distance	C(mm)	500	500
Load distance, centre of drive axle to fork	X(mm)	802	802
Tyre size, front	mm	0180x50	0180x50
Tyre size, rear		80x70	80x70
Wheels, number front rear (x=driven wheels)	h1(mm)	2/2	2/2
Height, mast lowered	h1(mm)	2090/2340	
Max. Lift height	h3(mm)	3000/3500	
Height, mast extended	h4(mm)	3560/4060	
Overall length	l1(mm)	1678	1740
length to face of forks	l2(mm)	608	670
Overall width	b1(mm)	800	800
Fork dimensions	s/e/l(mm)	60/170/1150	60/170/1150
Width overall forks	b5(mm)	570	570
Aisle width for pallet 800x1200 lengthways	Ast(mm)	2267	2347
Turning radius	Wa(mm)	1425	1505
Lift speed, laden/unladen	m/s	0.07/0.09	
Lowering speed, laden/unladen	m/s	0.15/0.12	0.15/0.12
Service brake		mechanical	mechanical
Battery voltage, nominal capacity K	V/h	12/120	12/120
Battery weight	kg	45	95
Battery dimensions l/w/h	mm	360x170x250	360x170x250
Service weight (with battery)	kg	445	480

SEMI-ELECTRIC STACKER WITH ADJUSTABLE FORK

Model : NKSESA-III-1030YEL / / NKSESA-III-1535YEL



Advantages

- Compact design with strong european steel construction
- Simple and convenient lifting operational system
- Light and easy manual steering, equipped with parking brake
- Smooth control of precise lifting and lowering
- Special design are available according to customers requirements

Remark

SESA series are with straddle lega & adjustable forks

		NKSES-III-1030	NKSES-III-1530
Capacity	Q(kg)	1000	1500
Load centre distance	C(mm)		600
Load distance, centre of drive axle to fork	X(mm)		800
Lowered fork height	h13		70
Max. Lift height	h3(mm)		3000/3500
Height, mast lowered	h1(mm)		2145/2395
Height, mast extended	h4(mm)		3552/4052
Fork dimensions	s/e/l(mm)		30/100/(1150)
Overall width	b1(mm)		1132-1532
Width over forks	b5(mm)		200/800
Aisle width for pallets 800x1200 lengthways	Ast(mm)	2142	2212
Turning radius	Wa(mm)	1340	1410
Lift speed, laden/unladen	m/s		0.08/0.1
Lowering speed, laden/unladen	m/s		0.15/0.12
Battery voltage, nominal capacity K5	V/Ah	12/200	24/200
Battery weight	kg	60	120
Battery dimensions l/w/h	mm		250x190x295
Service weight (with battery)	kg	445/495	480/550

*Disclaimer: Specification can be changed without prior notification.
Images of equipment and accessories shown may differ from the actual equipment.*

Head Office:

Nilkamal Limited

Nilkamal House, Plot No.77 & 78, Street No.14,

M.I.D.C, Andheri (East), Mumbai - 400093

Toll Free Number: 1800 121 9115

Email: marketing@nilkamal.com

www.nilkamalmaterialhandling.com